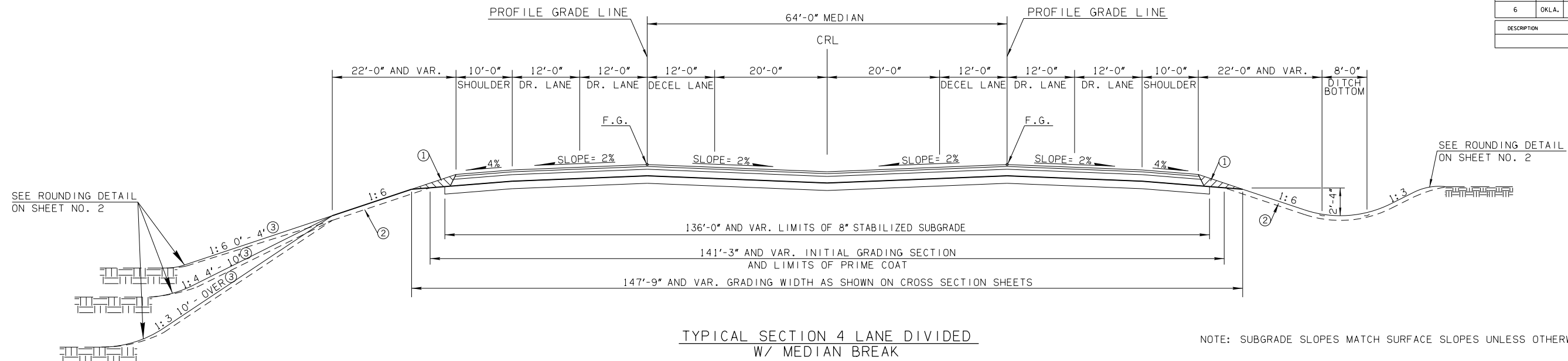


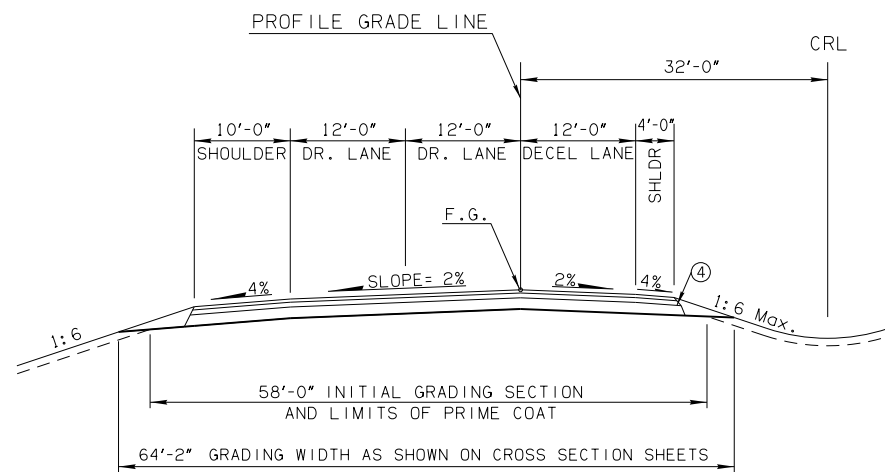
FED. ROAD DIST. NO.	STATE	JOB PIECE NO.	FISCAL YEAR	SHEET NO.	TOTAL SHEETS
6	OKLA.				
DESCRIPTION		REVISIONS	DATE		



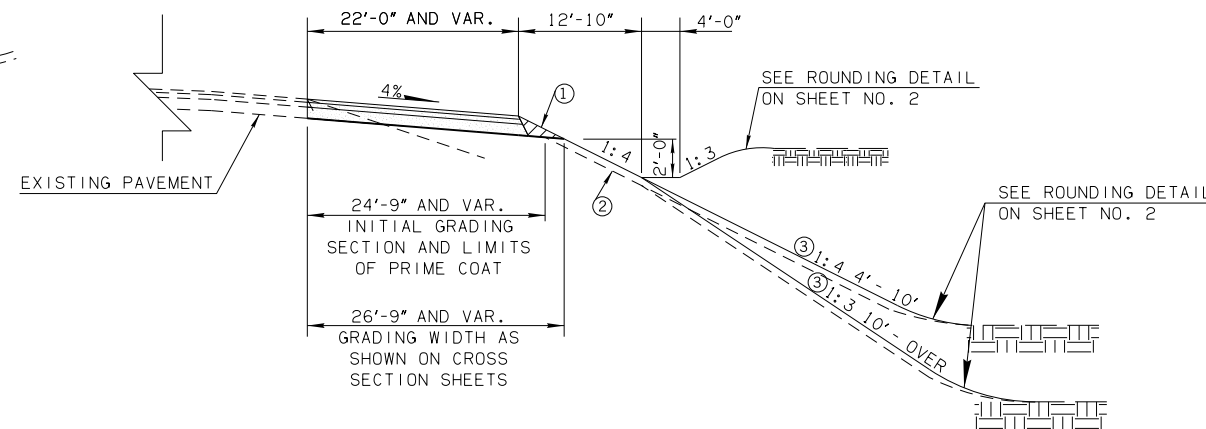
TYPICAL SECTION 4 LANE DIVIDED
W/ MEDIAN BREAK

NOTE: SUBGRADE SLOPES MATCH SURFACE SLOPES UNLESS OTHERWISE SHOWN.

ASPHALT CONCRETE REQUIREMENT			
12" PAVT. STRUCTURE	12'-0" DRIVING AND TURNING LANES	64'-0" PAVED MEDIAN OPENING	10'-0" PAVED OUTSIDE SHOULDER
SURFACE COURSE	2" ASPH. CONC. TYPE S4 (PG 76-28 OK)	2" ASPH. CONC. TYPE S4 (PG 76-28 OK)	2" ASPH. CONC. TYPE S4 (PG 64-22 OK)
BASE COURSE	3" ASPH. CONC. TYPE S3 (PG 76-28 OK)	3" ASPH. CONC. TYPE S3 (PG 76-28 OK)	3" ASPH. CONC. TYPE S3 (PG 64-22 OK)
	7" ASPH. CONC. TYPE S3 (PG 64-22 OK)	7" ASPH. CONC. TYPE S3 (PG 64-22 OK)	7" ASPH. CONC. TYPE S3 (PG 64-22 OK)



TYPICAL SECTION
LEFT TURN LANE



TEMPORARY WIDENING
DETAIL

ASPHALT CONCRETE REQUIREMENT	
12" PAVT. STRUCTURE	22'-0" AND VAR. WIDENING
SURFACE COURSE	2" ASPH. CONC. TYPE S4 (PG 76-28 OK)
BASE COURSE	3" ASPH. CONC. TYPE S3 (PG 76-28 OK)
	7" ASPH. CONC. TYPE S3 (PG 64-22 OK)

① BACKFILL NOTE:
To Be Backfilled And Compacted As Part Of The Finishing Operations. The Quantity 5400 C.Y. of Backfill Will Be Used From Excess Excavation As Directed By The Engineer.

② TOPSOIL NOTE:
The Contractor Shall Strip All Of The Available Topsoil, Stockpile It, And Place It Back On The Section In Accordance With Section 205 Of The Standard Specifications. Reserved Topsoil Shall Be Spread First On The Completed Slopes Of The Cut Sections And The Remainder On Completed Fill Slopes Or Other Priority Areas Located By The Engineer. All Additional Costs Associated With Operations Shall Be Included In The Pay Item Salvaged Topsoil, Lump Sum.

The Grading Line As Shown On The Typical And Cross Sections Is To The Top Of The Topsoil. Earthwork Quantities Were Not Adjusted For Salvage And The Topsoil Quantity Is Included In The mass Line Balance.

③ Distance Measured Vertically From Edge Of Finished Grade Shoulder.

④ Construct Asphalt Safety Edge On 4'-0" Inside Shoudler As Shown In Special Provision 411-14

DESIGN	GC
DRAWN	RM
CHECKED	CC
APPROVED	CS
SQUAD	DEWBERRY

TYPICAL SECTION